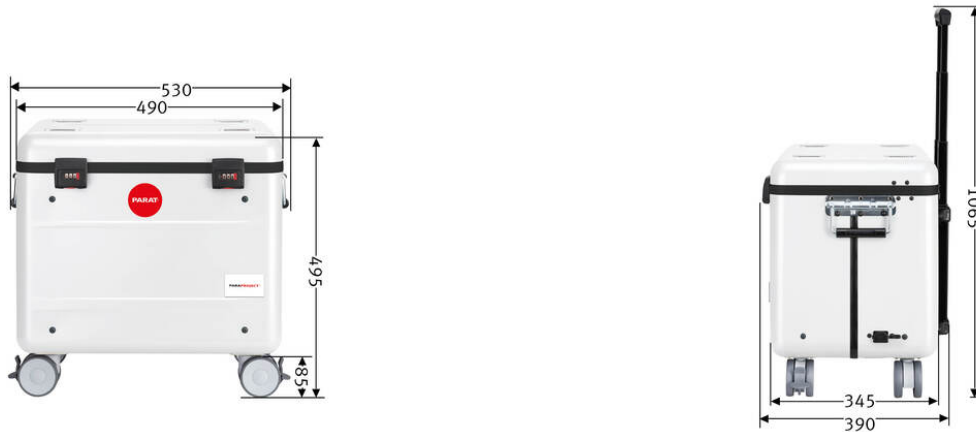


PARAPROJECT®

Case C10

charging , transport , storage



| | |
|-----------------------------|--|
| Part denomination | PARAPROJECT Case C10 Charge Only, 15.6", white |
| Part number | 208.630-170 |
| GTIN /EAN | 4006793002326 |
| Field of application | Education , Health Care |
| Certificates | CE / REACH / RoHS |
| Applicable standards | DIN EN 60950-1 / DIN EN 55022 / DIN EN 55035 |
| Scope of delivery | <ul style="list-style-type: none"> - PARAPROJECT® Case C10 - device connection cable, EU, length: 5 m - 5 y-adapter with 2 IBM sockets (C5, 3-pin) - 5 y-adapter with 2 Euro-8 sockets (C7, 2-pin) - user guide |
| Materials | <ul style="list-style-type: none"> - ABS plastic / PMMA - aluminium - Con-Pearl® |
| Transport | 4-fold telescopic handle / 2 carrying handles / carrying handles on both sides / 4 smooth-running castors ø 75 mm (with 2 lockable castors) |
| External dimensions (WxDxH) | 530 mm x 390 mm x 495 mm |
| Weight | 10000 g |
| Transport dimensions | 540 mm x 400 mm x 530 mm |
| Dimensions of euro-pallets | 1200 mm x 800 mm x 1740 mm |
| Number of euro-pallet | 6 |
| customs tariff number | 42021250 |
| Country of origin | RO |

PARAPROJECT®

Case C10

charging , transport , storage

| | |
|---------------------------|---|
| Fittings | <ul style="list-style-type: none"> - Interior technical equipment: - 10 storage compartments (W x D x H: 35/25 (zig-zag arrangement) x 255 x 350 mm) for tablets or laptops - storage compartment for accessories such as access point, router and/or Apple TV - 10 rubber loops for original power supply units - 2 Schuko sockets for e.g. master laptop or access point - Case lid: - napped foam - air vents in the lid and bottom tray - External technical equipment: - central power supply with protective cap - on/off-switch - 4-fold telescopic handle - 2 carrying handles - combination lock - 4 smooth-running castors ø 75 mm (with 2 lockable castors) |
| Compatible devices | All tablets or laptops up to 15,6" that can be charged with their own power supply unit , ultrabook |
| Max. number of devices | 10 |
| Operating system | Chrome OS / macOS / Windows |
| Cable types for equipment | y-adapter with 2 IBM sockets (C5, 3-pin) ; y-adapter with 2 Euro-8 sockets (C7, 2-pin) |
| Power supply | use of customer's own power supply units |
| Output power per port | max. 2,5 A |
| Optional accessories | <ul style="list-style-type: none"> - y-adapter with 2 Euro flat sockets - external weekly timer |
| Lock types | combination lock |
| Connections | <ul style="list-style-type: none"> - outside: - central power supply with protective cap - main switch - inside: - 5 IBM sockets (C5, 3-pin) - 2 Schuko sockets |
| Data of currents | <ul style="list-style-type: none"> - 100 - 240 V - max. 8 A - 50/60 Hz |
| Dimension of pockets | 35 / 25 (Zick-Zack Anordnung der Fächer) x 255 x 350 mm (+ 40 mm zusätzliche Höhe dank Kofferdeckel) |
| Color | white |

product image similar / information without content / subject to errors and changes / all dimensions in mm

PARAPROJECT®

Case C10

charging , transport , storage



- storage compartment for power units



- central power supply with protective cap